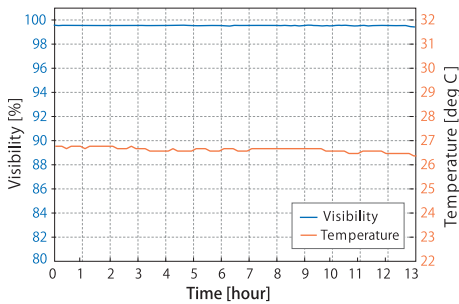




2" Mirror Mount

MH200IH_381



Stability data

The reference data is only attached to prototype MH200IH_381, not for every product. (We do not attach the data for each product as we do for MM1000S and BSM1000S).

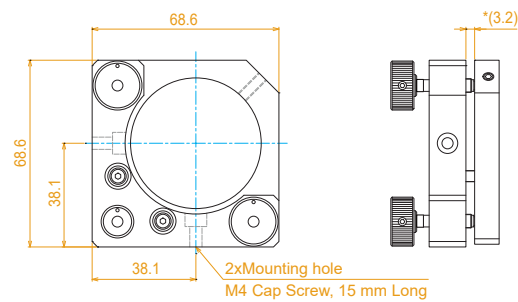
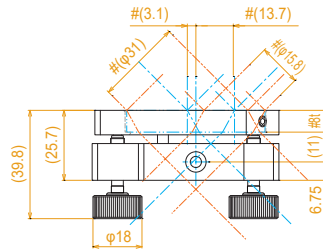


Knobless model (MH200IH_381HW)

FMD has launched reasonable priced 2" mirror mount for cutting-edge researches. Typical evaluation data show ultrastable visibility as shown in the lower left.

MH200IH_381

2" Mirror Mount



Material	Extra Super Duralumin (ESD)
Surface Finish	Anodized (color: gray, sandblasted)
Nominal Thickness	37.5 mm
Weight	Approx. 167 g (except the optics)
Optics	φ2" , thickness: 5 to 9.5 mm
Transmitted Light	φ48 (Straight), φ31 and φ15.8 (45°)
Mounting Method	M4 Cap screw, 15 mm Long
Adjustment Screw	0.15 mm pitch screws (170TPI)
Tilt Range	±3°
Resolution	0.000477° (8.3 μrad) (the displacement (angle) when rotated 1°, 0.172° by one revolution)
Remarks	<ul style="list-style-type: none"> • Soft-lock mechanism is employed. (Patent application No. 2005-352867) • A model without knobs is available (MH200IH_381HW). • MH200IH_381HW can be adjusted by using a hexagon wrench and a specially designed FMD tool SCR-ADJ. • The screws to adjust both tilting and rotating directions of MH200IH_381HW enables super fine adjustment with almost no backlash by using the specially designed FMD tool SCR-ADJ.