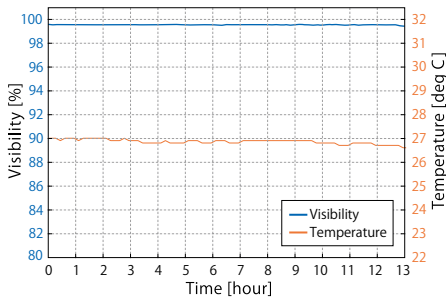




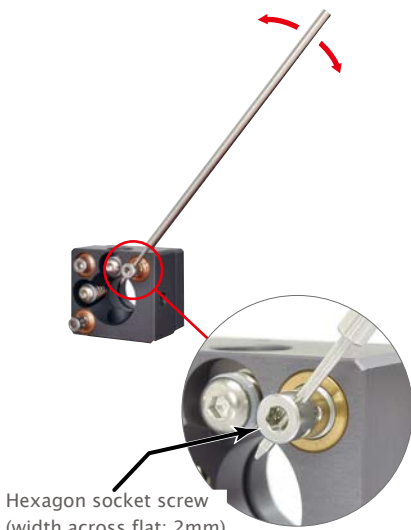
1/2" Mirror Mount

# MH050IH\_127R



## Stability data

The reference data is attached to prototype MH050IH\_127, not for every product. (We do not attach the data for each product as we do for MM1000S and BSM1000S).



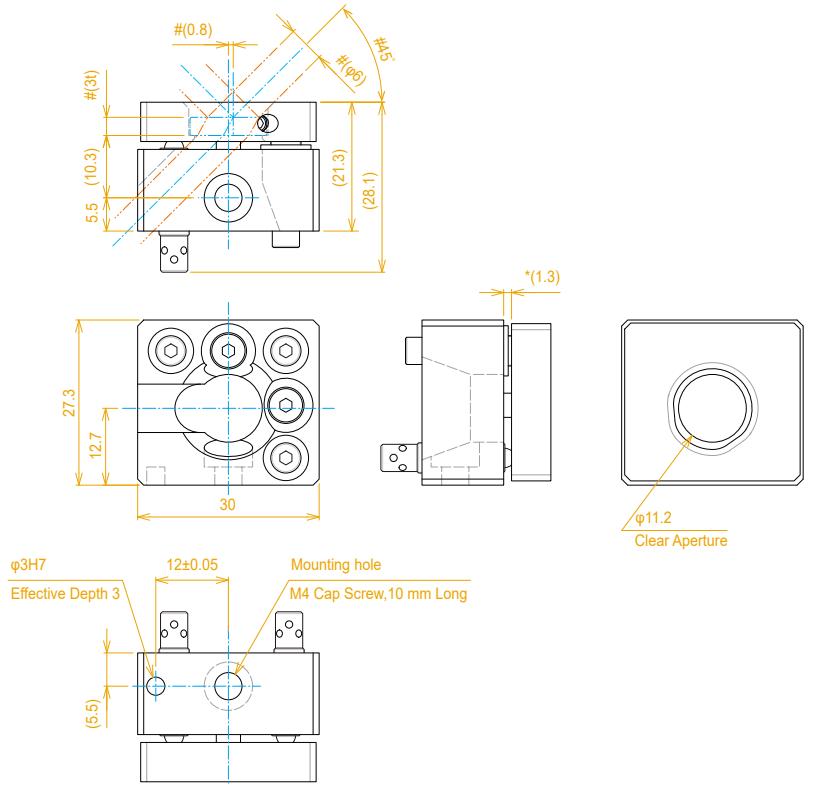
Hexagon socket screw (width across flat: 2mm)

## Special Tool: SCR-ADJ

FMD has launched reasonable priced 1/2" mirror mount for cutting-edge researches, based on MM1000S technology. Typical evaluation data shows ultrastable visibility as shown in the lower left. Three ultra precise 0.15 mm pitch screws are used as in MM1000S and BSM1000S. Optical axis heights of 1/2" and 15 mm can be selected by choosing the mounting holes.

## MH050IH\_127R

1/2" Mirror Mount



Material	Extra Super Duralumin (ESD)
Surface Finish	Anodized (color: gray, sandblasted)
Thickness	28.1 mm
Weight	Approx. 49 g (except the optics)
Optics	$\phi 1/2"$ , Thickness: 3 to 6.35 mm
Transmitted Light	$\phi 11.2$ mm (Straight) , $\phi 6$ (45°)
Mounting Method	M4 Cap screw, 15 mm Long
Adjustment Screw	0.15 mm pitch screws (170TPI)
Adjustment Angle	$\pm 3^\circ$
Angular Resolution	
Tilting direction	0.00134° (23.6 $\mu$ rad) when rotated 1°, 0.48° by one revolution
Rotating direction	0.00125° (22.0 $\mu$ rad) when rotated 1°, 0.45° by one revolution
Remarks	<ul style="list-style-type: none"> <li>•Mirror symmetry model is available</li> <li>•Soft-lock Mechanism is employed. (Pat. application No. 2005-312867)</li> <li>•Super-fine adjustment of both tilting and rotating directions can be made with almost no backlash by using the specially designed FMD tool SCR-ADJ.</li> </ul>